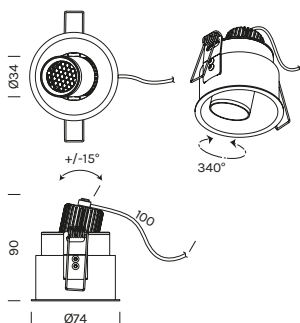
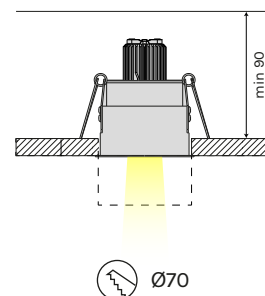


INDOOR - CEILING RECESSED

TINY ADJUSTABLE

- alluminio

- aluminum



4856	M 2700K	W 3000K	N 4000K
Power	6.6W	6.6W	6.6W
Nominal lumen	700.0lm	733.0lm	785.0lm
CRI	>90	>90	>90
Supply	500mA	500mA	500mA
Item	Temperature	°Optic	Finish
4856	M	15	-NA
	W	38	-BO
	N	55	-BV
			-OR

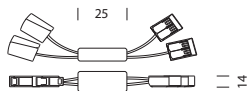
Driver in corrente in remoto 500mA

500mA remote constant current driver

Item	items powerable	Power	IP	Dimensions	Dimming
1A2533	1	8W	IP20	132x22x19	ON-OFF

Convertitore da 24Vdc a 500mA

24Vdc to 500 mA converter

Necessita di driver remoto a 24Vdc
Requires 24V remote driver

Item	items powerable
2A4843	1

Driver 24Vdc in tensione in remoto

Remote constant voltage drivers 24Vdc

Item	items powerable	Power	IP	Dimensions	Dimming
1A0150	1-2	30W	IP20	154x50x14	ON-OFF
1A1910	1-4	60W	IP20	185x63,5x22	ON-OFF
1A1476	1-7	100W	IP20	177x56,4x17,2	ON-OFF
1A2168	1-7	100W	IP20	190x65x22	PUSH DALI
1A1999	1-7	100W	IP20	201x63x30	L-C

Centraline dimmerabili in remoto

Remote dimmable controllers

Item	Power	IP	Dimensions	Dimming
1A0837/24	144W	IP20	132x22x20	PUSH DALI 1-10V
1A0838/24	288W	IP20	164x38x25	PUSH DALI 0.1-10V